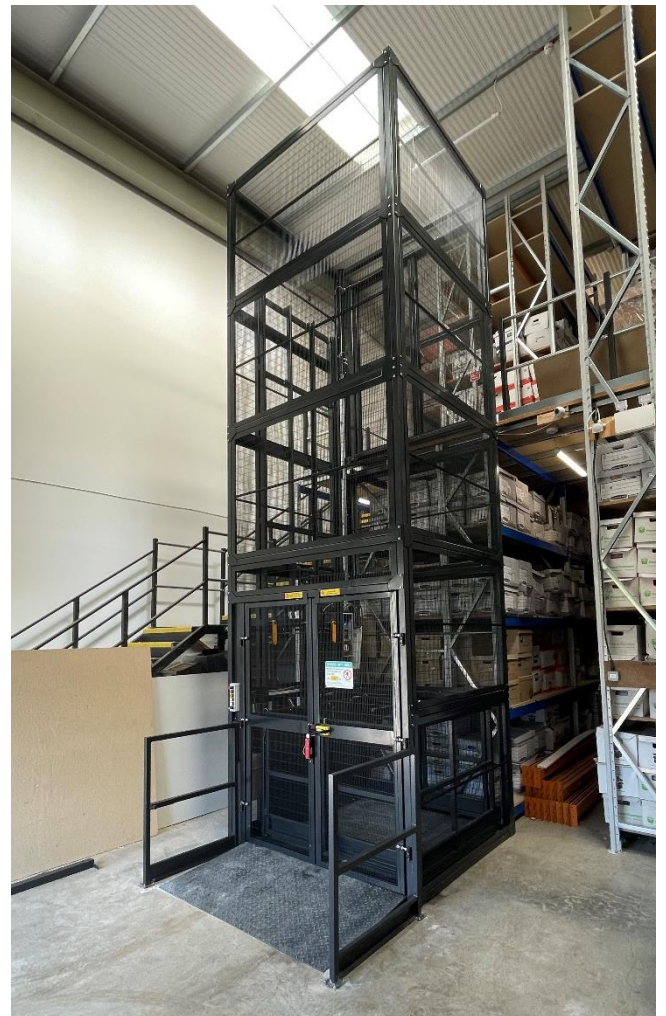


## REACH GOODS LIFT



- ✓ High quality, robust construction, designed and manufactured in the
- ✓ UK Freestanding design
- ✓ Quick to install due to modular framework in 1 - 2 days
- ✓ Fast delivery 6 - 8 weeks from order to installation



### KEY FEATURES

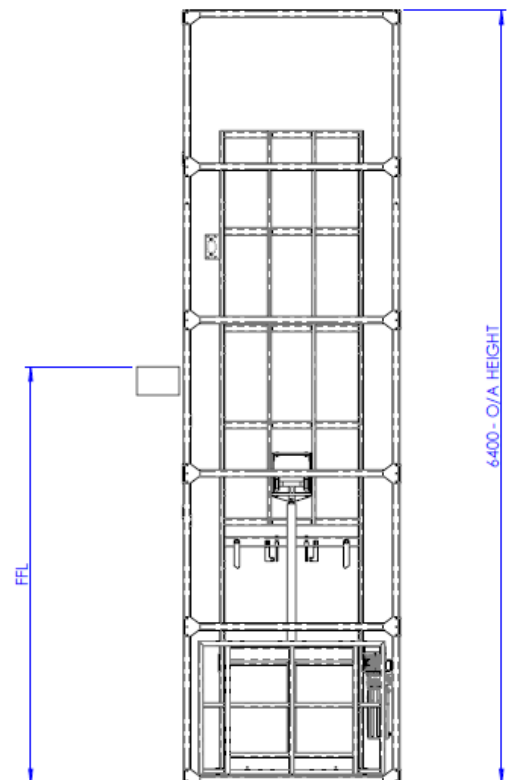
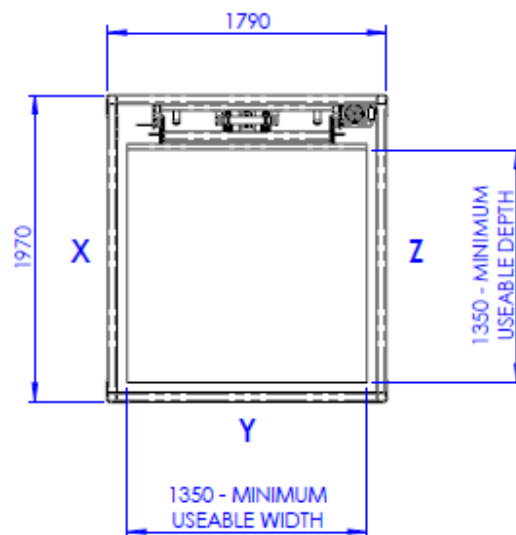
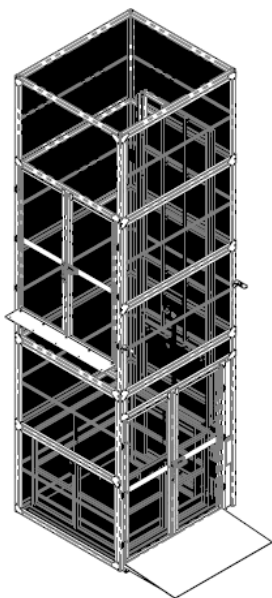
- ✓ Maximum lift height between 3-4m
- ✓ Usable platform size 1350 x 1350mm
- ✓ Loading access available on any 3 sides
- ✓ Ramp or pit mounted
- ✓ Pre-fitted controls
- ✓ Full height mesh enclosure with electro-mechanical interlocked and handrails

## TECHNICAL SPECIFICATION

# REACH<sup>25</sup> REACH<sup>50</sup>

Capacity	Usable Platform Length (mm)	Usable Platform Width (mm)	Lift Height (mm)	Reference
250KG	1350	1350	< 4000	<b>REACH25</b>
500KG	1350	1350	< 4000	<b>REACH50</b>

- Mezzanine floor goods only lift with operator access for loading and unloading.
- Located indoors in an area with no public access and to be used by trained operators only 415v 3 phase power supply required with a 16amp isolator (by others)
- Lift speed (generally approximately 100mm/s)
- Duty cycle up to 10 cycles per hour on a single shift basis
- Door access height 2100mm.
- Automatic one-touch controls



Further optional extras and fully bespoke lift specifications are available on request.

Please contact sales@llmhandling.co.uk to discuss your requirements.

